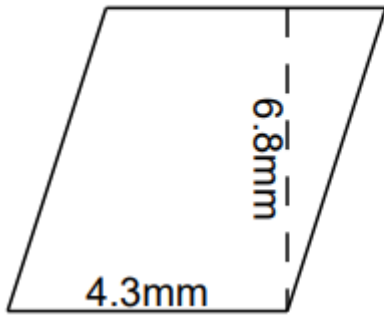
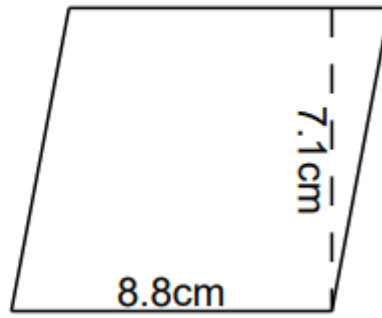


Find the area of these parallelograms.

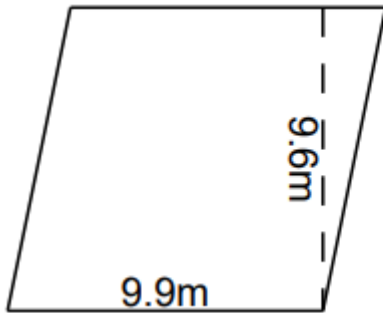
1)



5)



2)



6)

