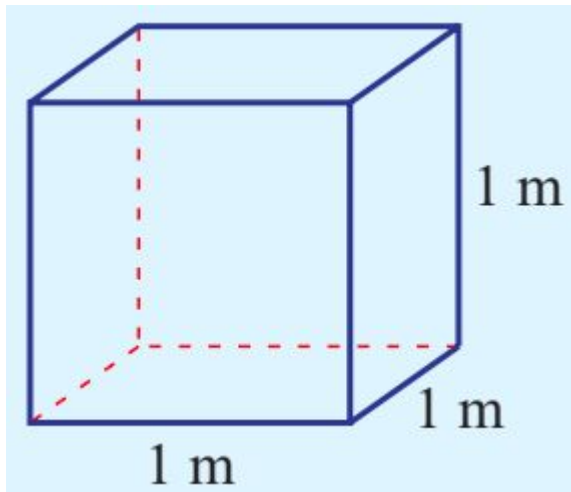


VOLUME AND CAPACITY

Volume is a measure of the space occupied by a three-dimensional object.

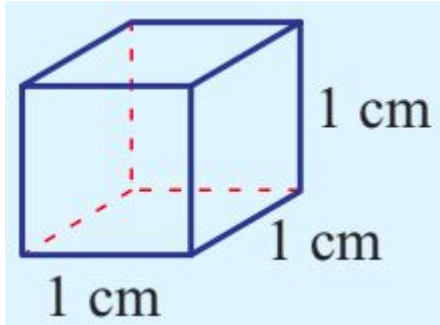
example: the volume of your bedroom

Volume is measured in cubic units.

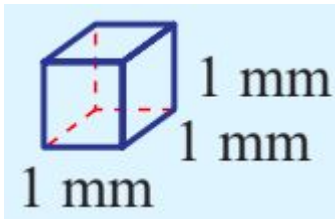


cubic metre (m^3)

VOLUME AND CAPACITY

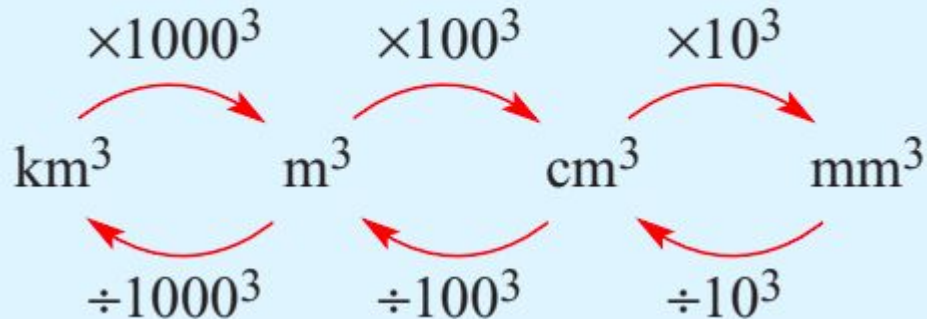


cubic centimetre (cm^3)

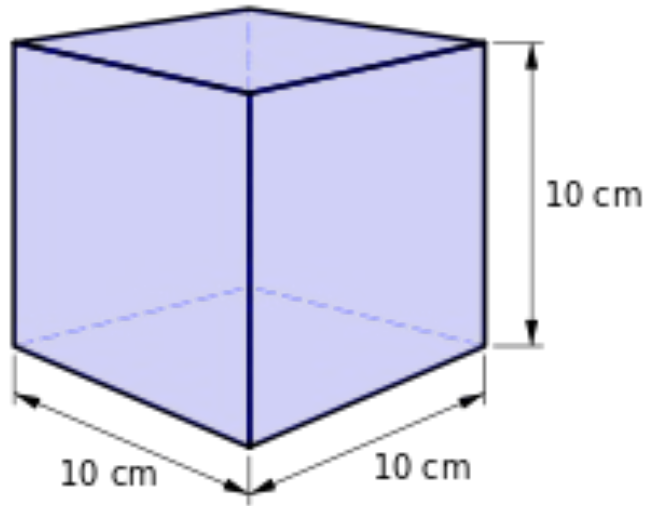


cubic millimetres (mm^3)

Conversions for volume



VOLUME AND CAPACITY



1 Litre (L)



How many litres in 1 m^3 ?

$1,000 \text{ L} = 1 \text{ kL}$

millilitre (mL)

$1 \text{ mL} = 1 \text{ cm}^3$

$1 \text{ L} = 1000 \text{ mL}$

megalitre (ML)

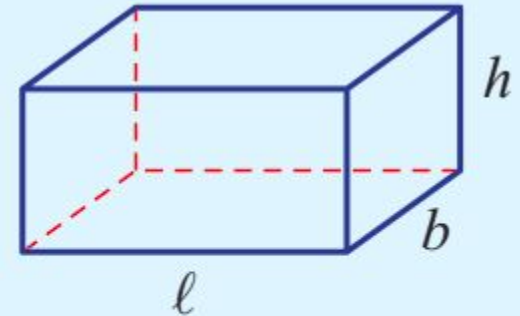
$1,000,000 \text{ L}$

VOLUME AND CAPACITY

■ Volume of a rectangular prism

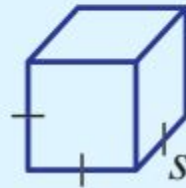
- Volume = length \times breadth \times height

$$V = \ell bh$$



■ Volume of a cube

$$V = s^3$$



Example

Find the volume of this rectangular prism.

